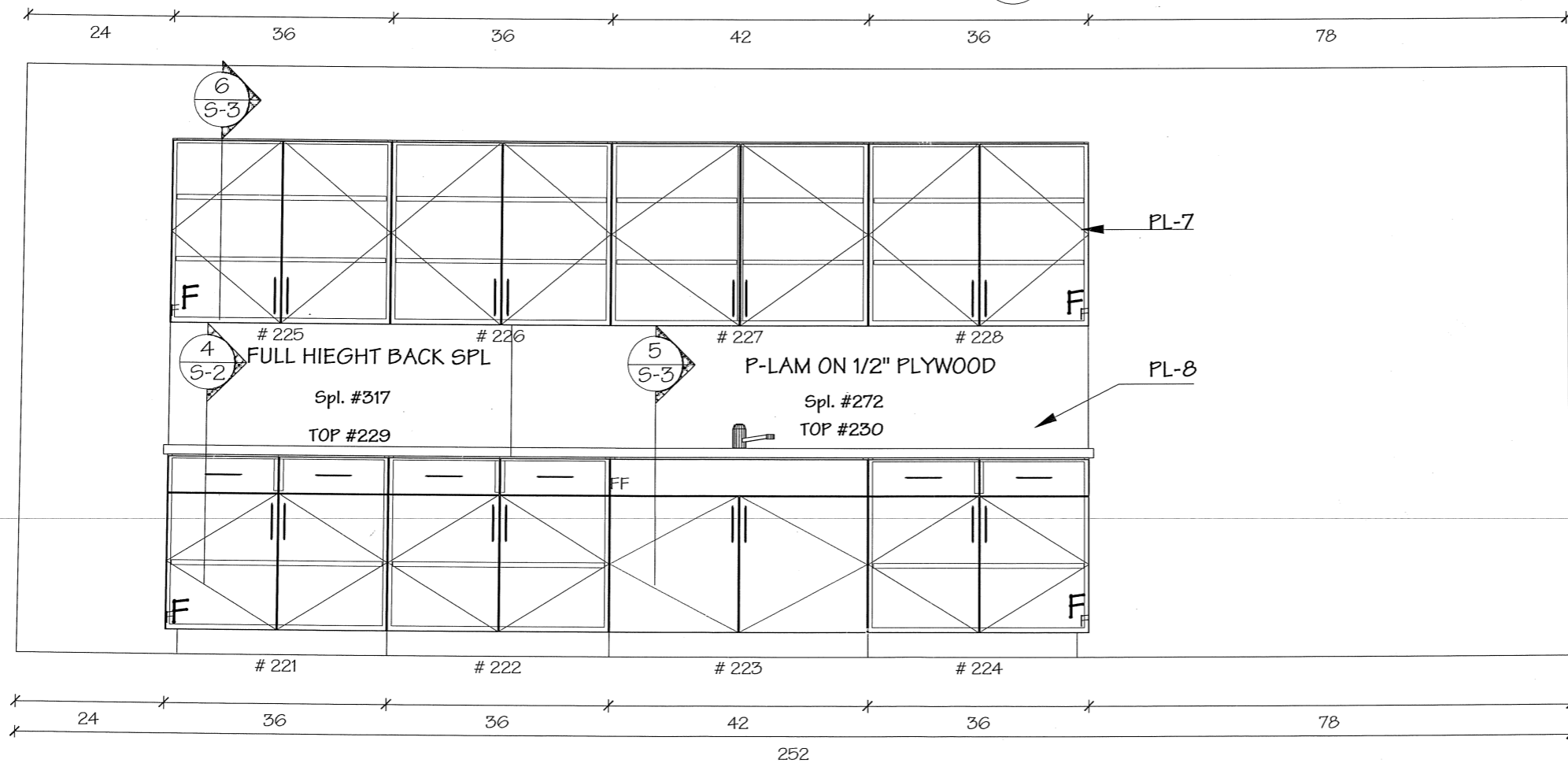


SMALL PIECE GOES TO BACK OF TOP

BUILD TOPS TO THESE DIMS. \*

F/J= FIELD JOINT X=P-LAM. FINISHED END

PLAN E130 WORK ROOM  
SCALE = 1/2" = 1' - 0" ARCH REF A4.105



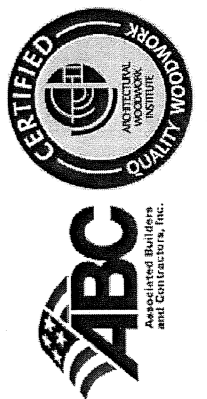
12  
30  
20  
34  
96

W/O #16282

A ELEVATION E130 WORK ROOM  
SCALE = 1/2" = 1' - 0" ARCH REF 3/A4.105

ALL DRAWER & DOOR HAVE 3mm EDGES

PL-7	WA: D14-60 PORT
PL-8	WA: 4630-60 CLOUD NEBULA



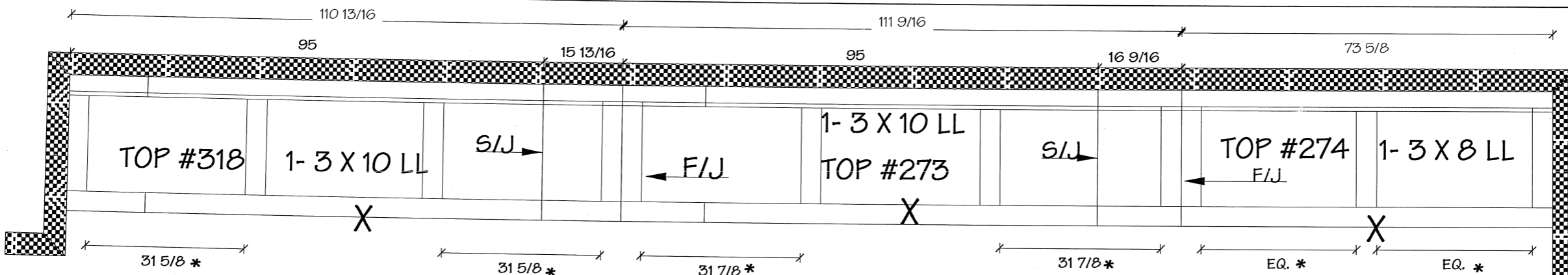
JOB NAME: Kellyville High & Middle School  
JOB ADD.: Kellyville OK.  
CONTRACTOR: Manhattan Const.  
ARCHITECT: Renaissance

1021 NORTH COLUMBIA PL.  
TULSA, OK. 74110  
(918) 832-1641  
FAX (918) 832-1251



REVISIONS:  
JOB# 612  
DATE: 03/13/12  
DRAWN BY: E H

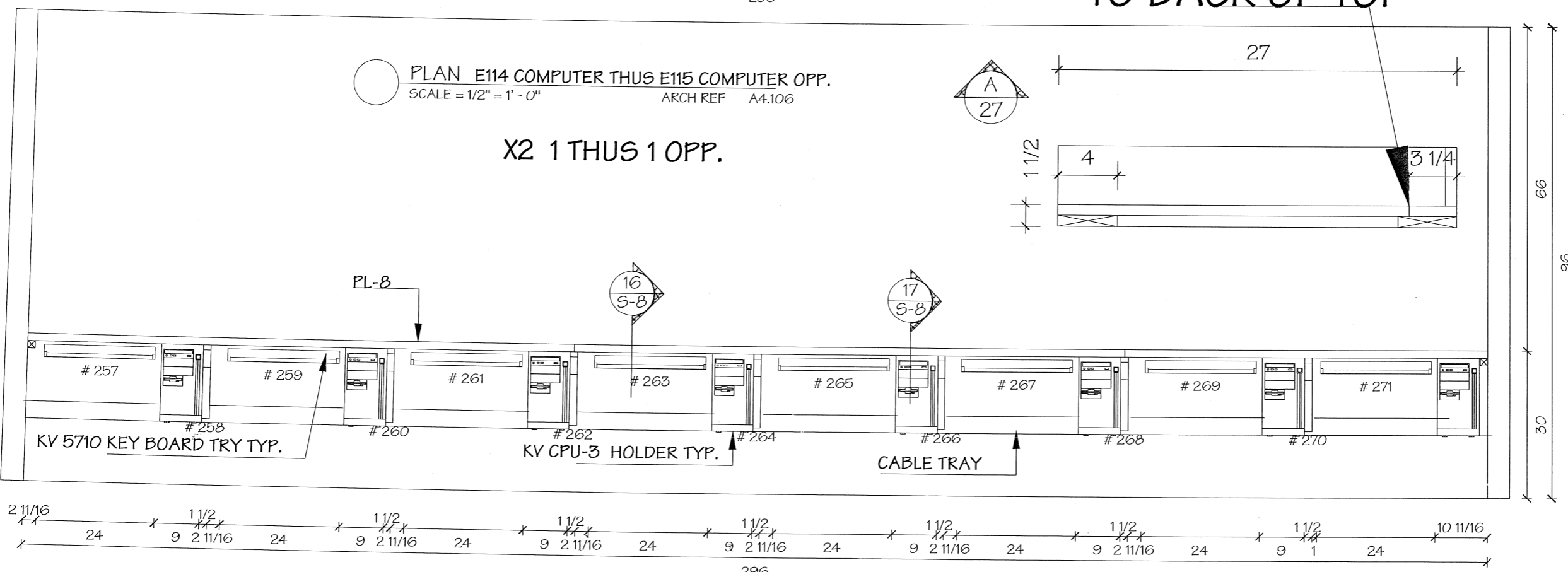
Sheet 22



X=P-LAM. FINISHED END      WA: 4630-60 CLOUD NEBULA      F/J= FIELD JOINT      S/J= SHOP JOINT

BUILD TOPS TO THESE DIMS. \*

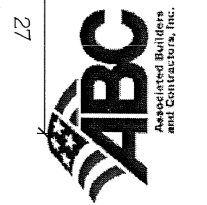
SMALL PIECE GOES TO BACK OF TOP



PLAN E114 COMPUTER THUS E115 COMPUTER OPP. SCALE = 1/2" = 1' - 0" ARCH REF A4.106

ELEVATION E114 COMPUTER THUS E115 COMPUTER OPP. SCALE = 1/2" = 1' - 0" ARCH REF 6/A4.106

PL-7	WA: D14-60 PORT
PL-8	WA: 4630-60 CLOUD NEBULA

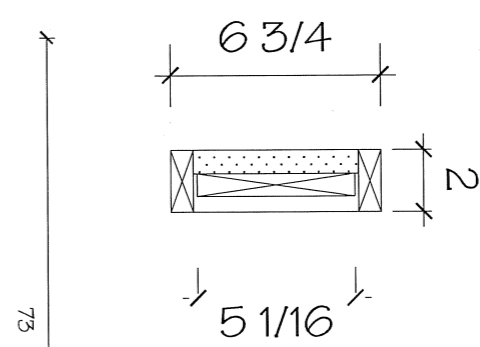
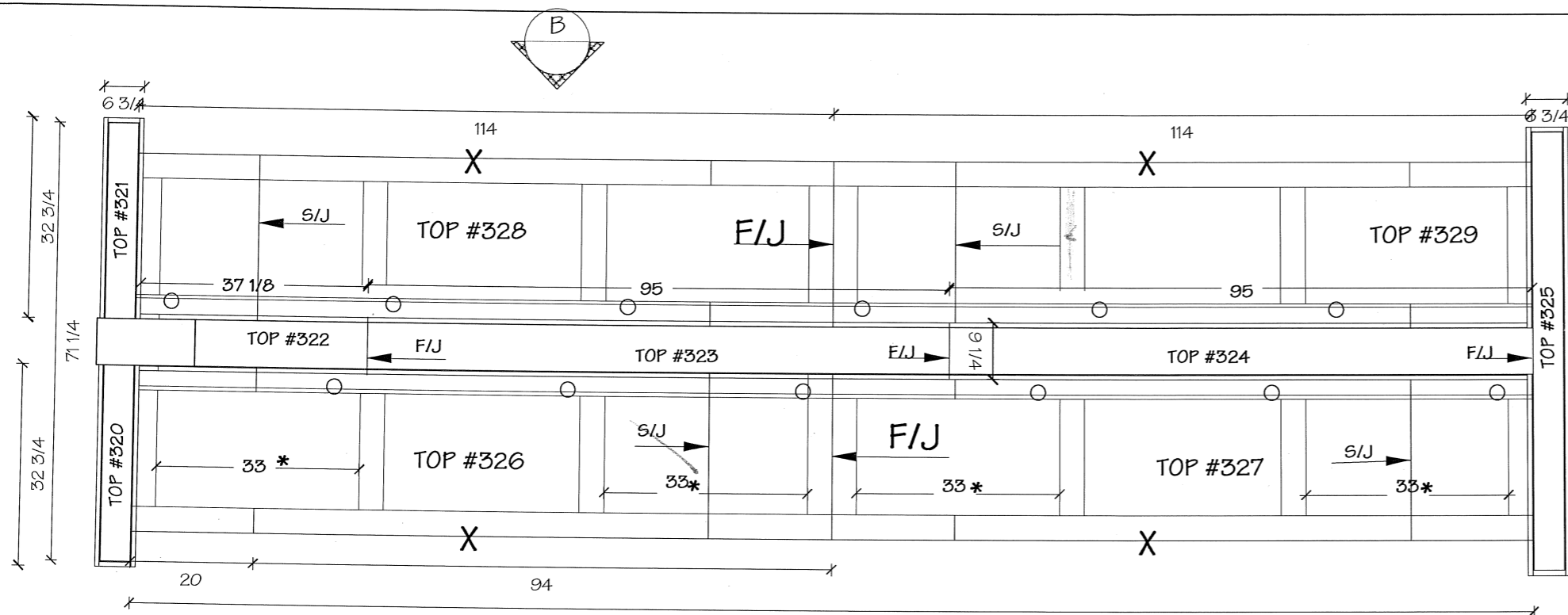


JOB NAME: Kellyville High & Middle School  
 JOB ADD.: Kellyville OK.  
 CONTRACTOR: Manhattan Const.  
 ARCHITECT: Renaissance

1021 NORTH COLUMBIA PL.  
 TULSA, OK. 74110  
 (918) 832-1641  
 FAX (918) 832-1251



REVISIONS:
JOB# 612
DATE: 03/13/12
DRAWN BY: E H
Sheet 27



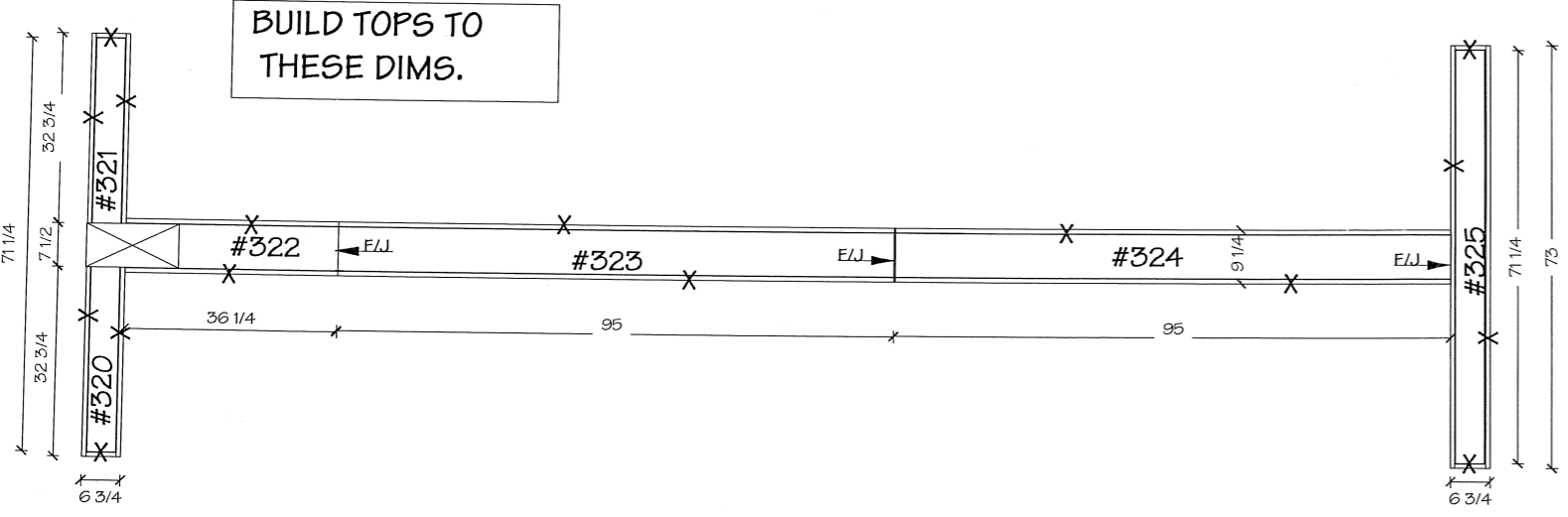
BUILD TOPS TO THESE DIMS. \*

4-5 X 12 PL-8 WA: 4630-60 CLOUD NEBULA 228 X=P-LAM. FINISHED END F/J= FIELD JOINT  
S/J= SHOP JOINT

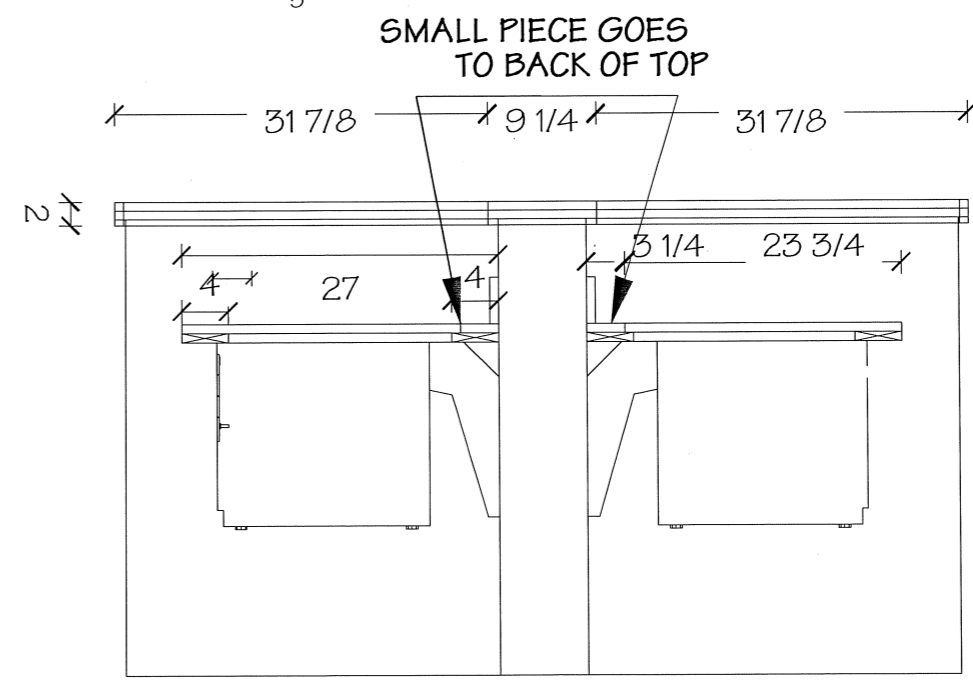


PLAN E114 COMPUTER THUS E115 COMPUTER OPP.  
SCALE = 1/2" = 1' - 0" ARCH REF A4.106

X2 1 THUS 1 OPP.



X2 1 THUS 1 OPP.



PL- 7	WA: D14-60 PORT
PL-8	WA: 4630-60 CLOUD NEBULA



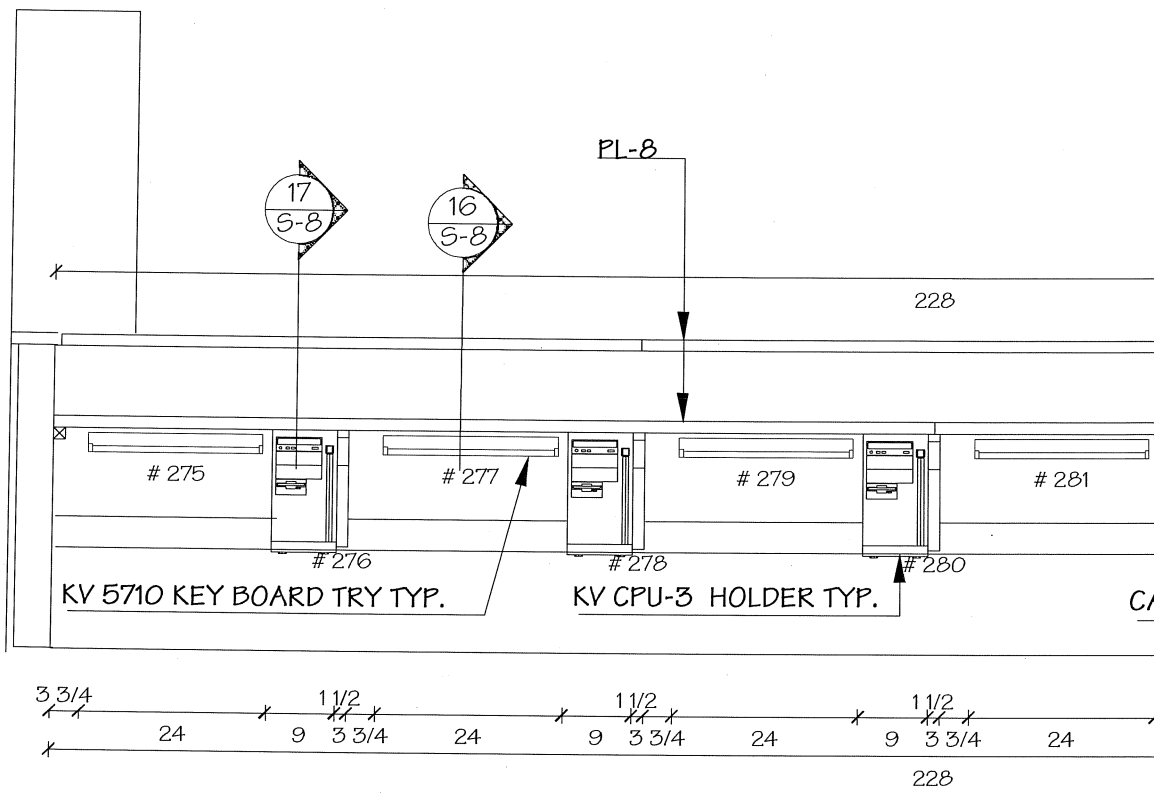
JOB NAME: Kellyville High & Middle School  
JOB ADD.: Kellyville OK.  
CONTRACTOR: Manhattan Const.  
ARCHITECT: Renaissance

1021 NORTH COLUMBIA PL.  
TULSA, OK. 74110  
(918) 832-1641  
FAX (918) 832-1251



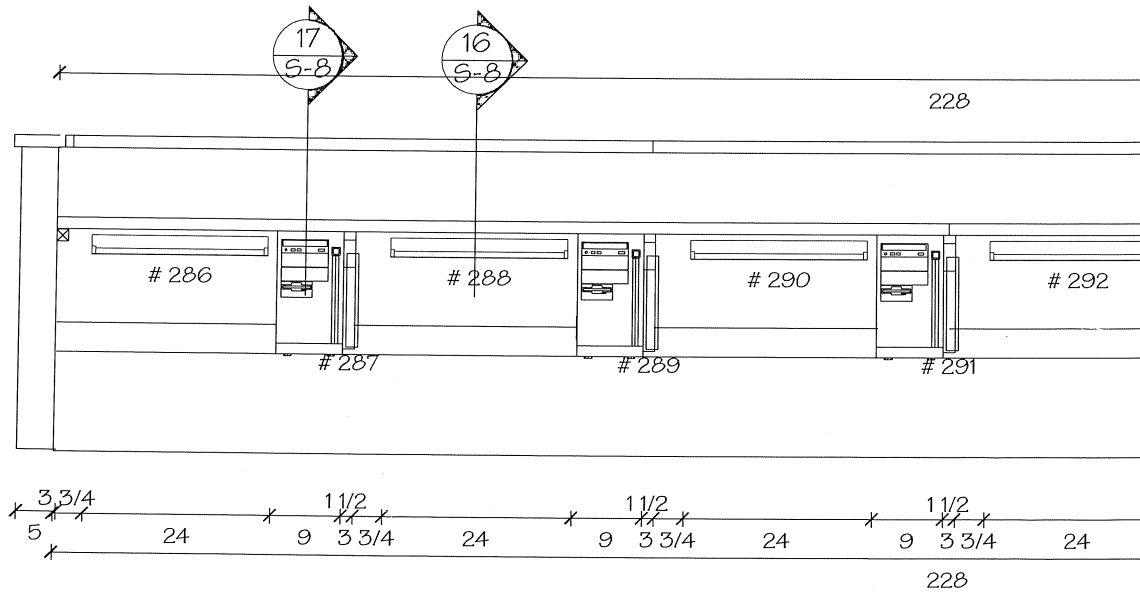
REVISIONS:  
JOB# 612  
DATE: 03/13/12  
DRAWN BY: E H

Sheet



**A** ELEVATION E114 COMPUTER THUS E115 COMP  
 SCALE = 1/2" = 1' - 0" ARCH REF 3/A4.106

X2 1 THUS 1 OPP.



**B** ELEVATION E114 COMPUTER THUS E115 COMPUTER OPP.  
 SCALE = 1/2" = 1' - 0" ARCH REF 3/A4.106



JOB NAME: Kellyville High & Middle School

JOB ADD.: Kellyville OK.

CONTRACTOR: Manhattan Const.

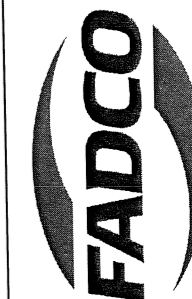
ARCHITECT: Renaissance

1021 NORTH COLUMBIA PL.

TULSA, OK. 74110

(918) 832-1641

FAX (918) 832-1251



REVISIONS:

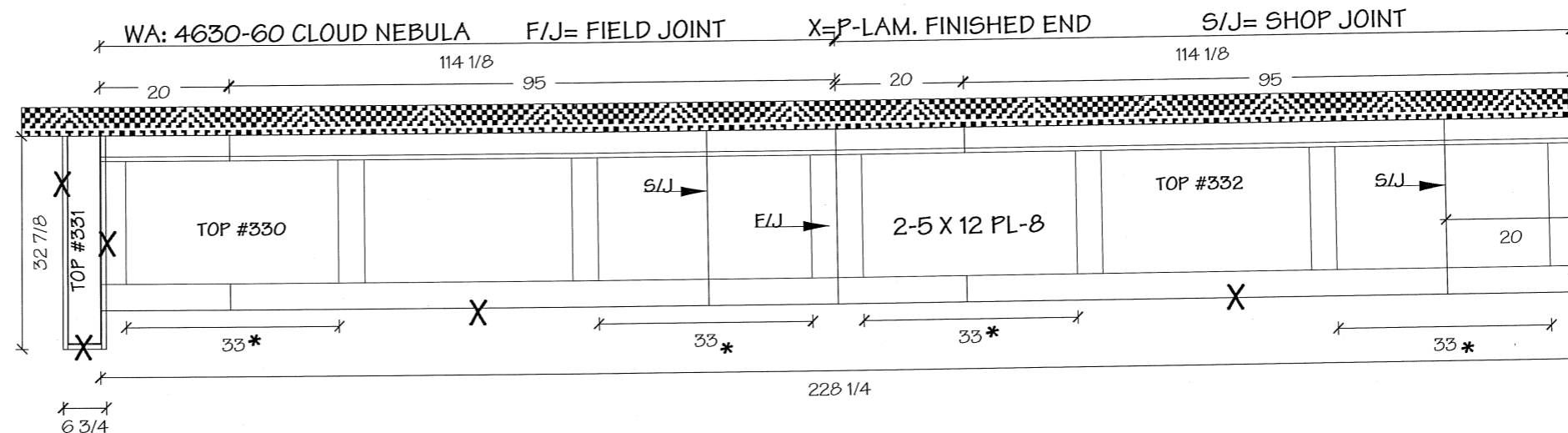
JOB# 612

DATE: 03/13/12

DRAWN BY: E H

Sheet

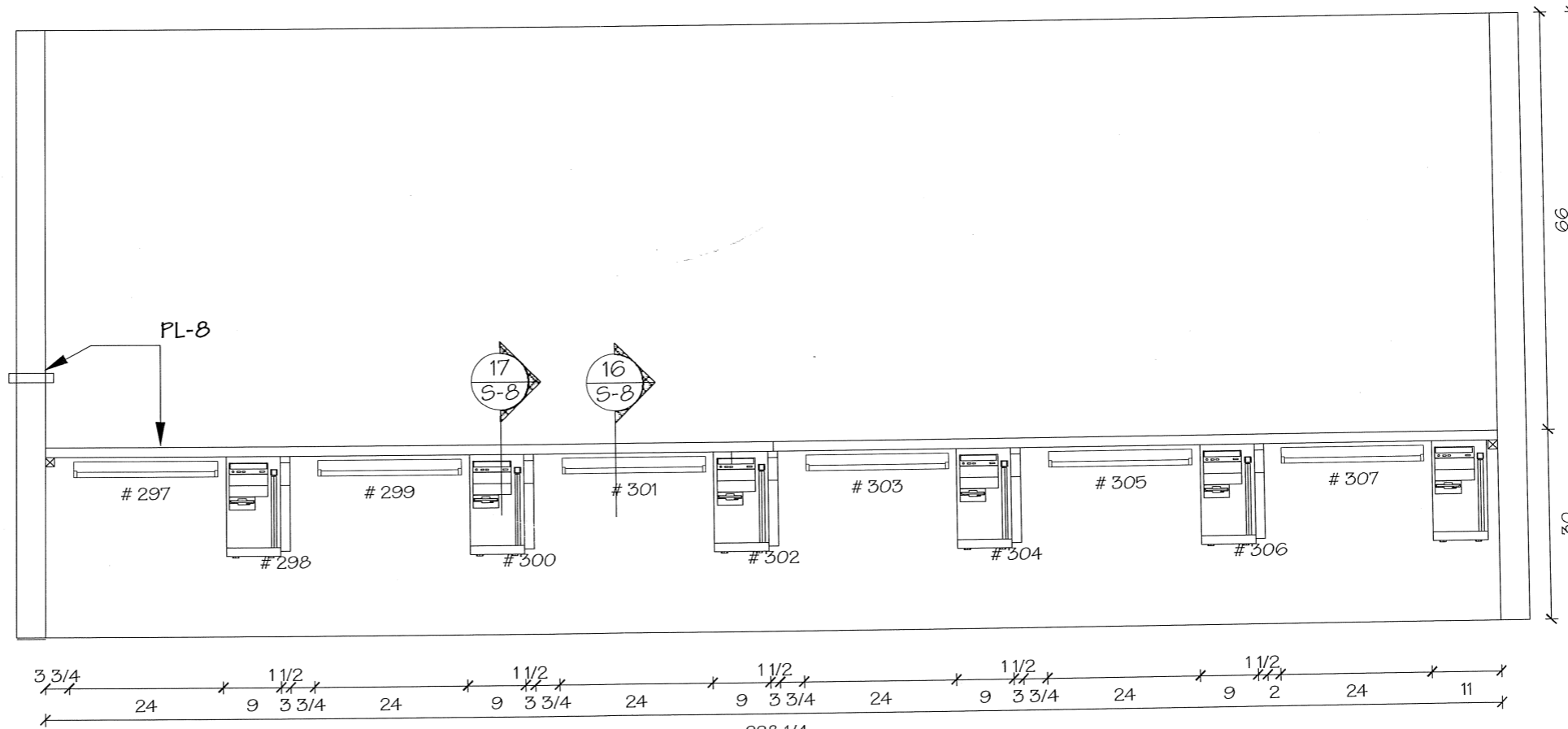
30



PLAN E114 COMPUTER THUS E115 COMPUTER OPP.  
 SCALE = 1/2" = 1' - 0" ARCH REF /



X2 1 THUS 1 OPP.



A ELEVATION E114 COMPUTER THUS E115 COMPUTER OPP.  
 SCALE = 1/2" = 1' - 0" ARCH REF 5/A4.106

X2 1 THUS 1 OPP.

PL-7	WA: D14-60 PORT
PL-8	WA: 4630-60 CLOUD NEBULA

BUILD TOPS TO THESE DIMS.\*

SMALL PIECE GOES TO BACK OF TOP

