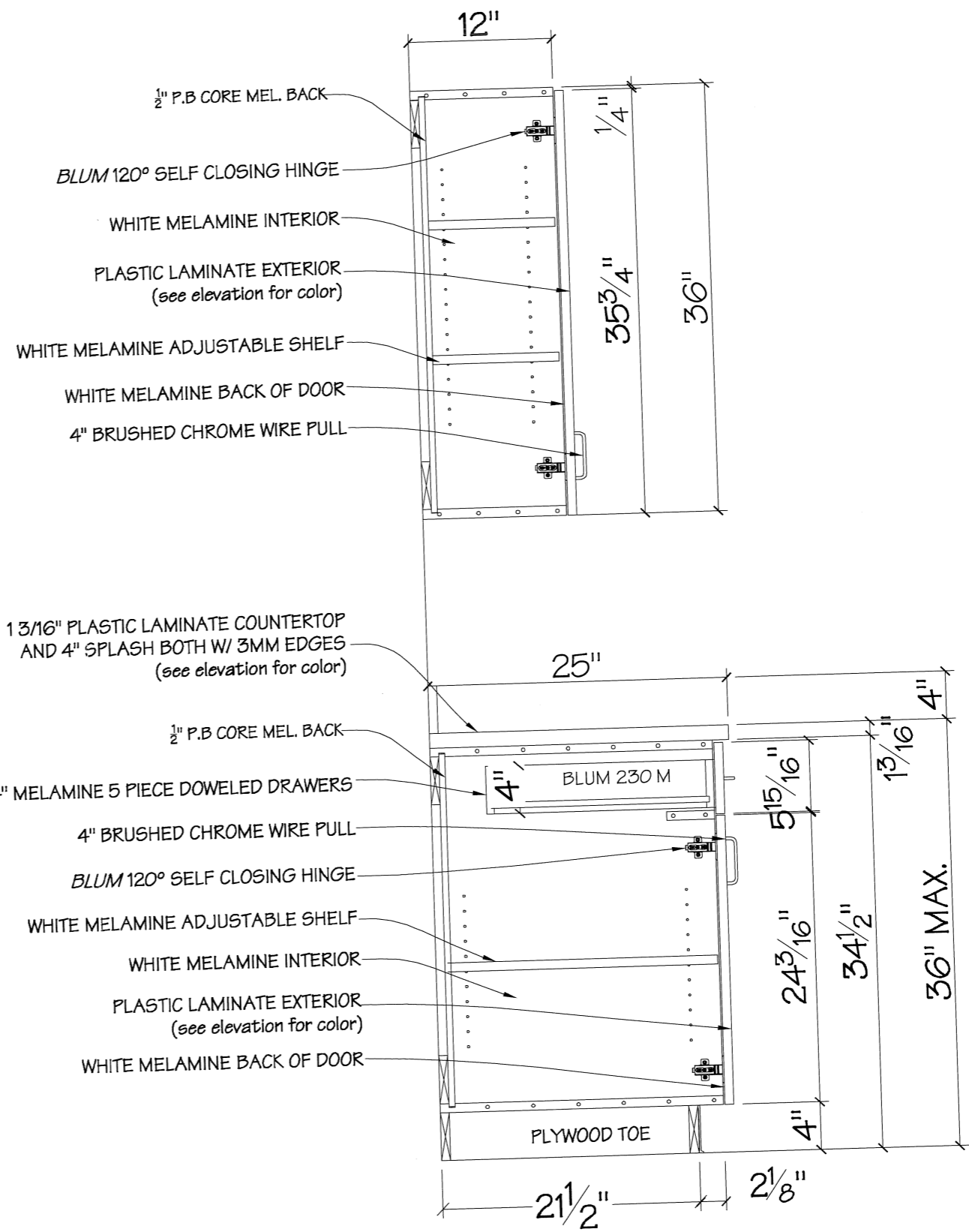


1 SECTION:
SCALE: 1" = 1' - 0" REF: B17.047 (SIM.)

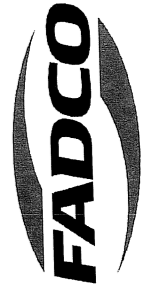


2 SECTION:
SCALE: 1" = 1' - 0" REF: Q1A7.03



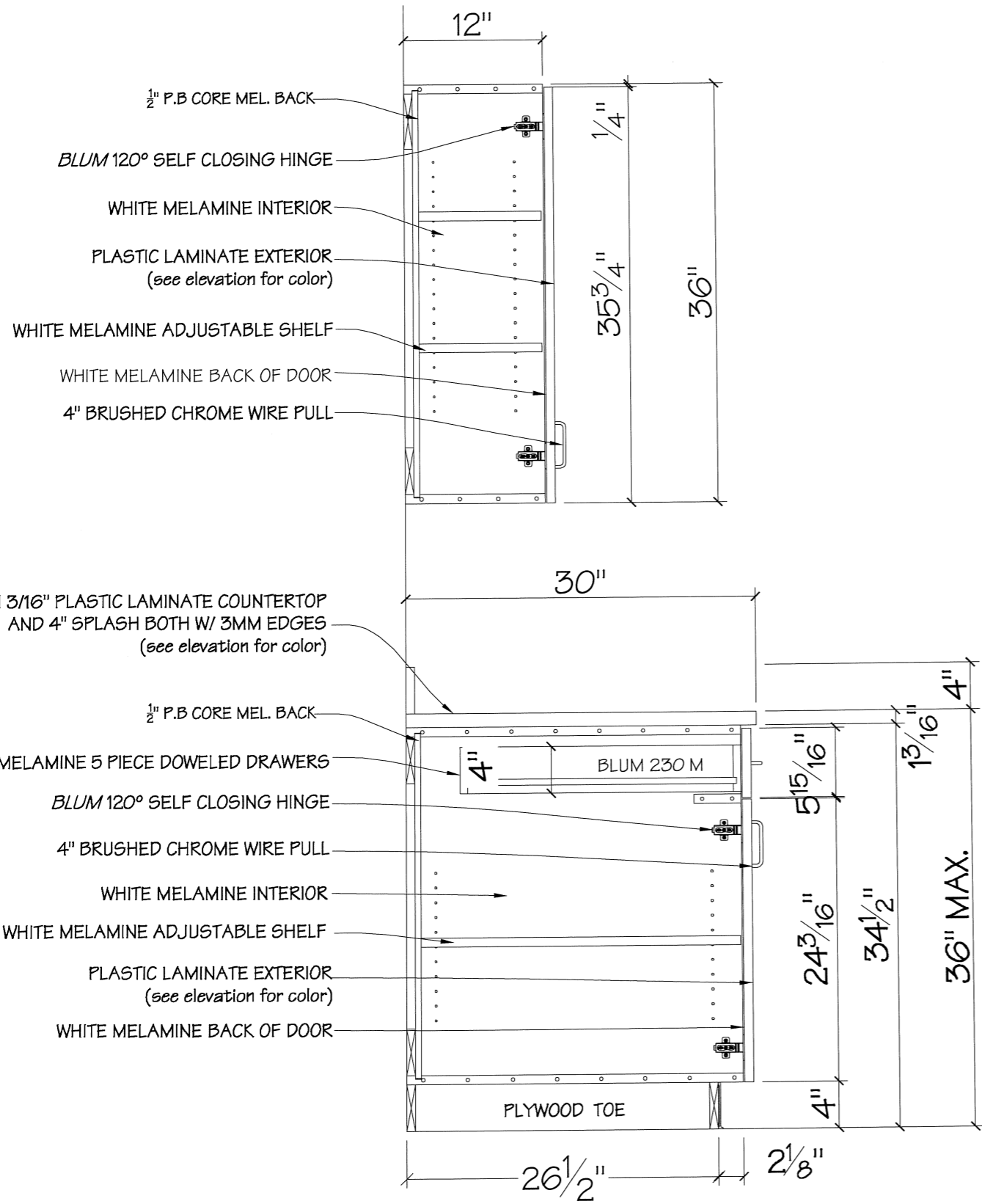
JOB NAME: Newcastle ECC
 JOB ADDRESS: 101 Main St. Newcastle OK
 CONTRACTOR: FLINTCO
 ARCHITECT: Design Architect Plus

1021 NORTH COLUMBIA PL.
 TULSA, OK. 74110
 (918) 832-1641
 FAX (918) 832-1251

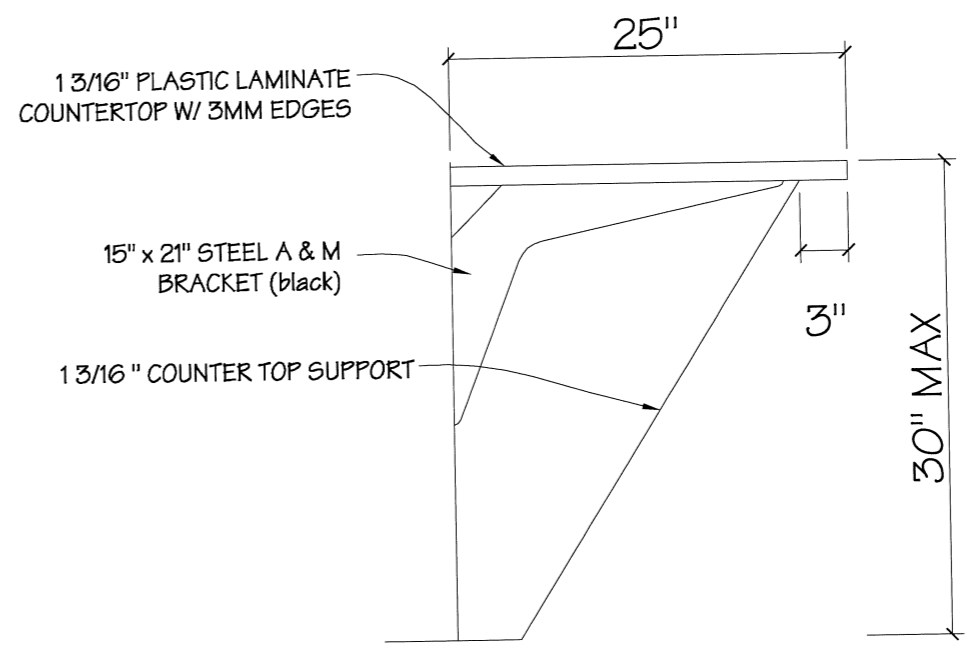


REVISION No.

JOB NO.: 1565
 DATE: 9/23/11
 DRAWN BY: ELH
 SHEET: S-1



11 SECTION:
SCALE: 1" = 1' - 0" REF: Q/A7.03

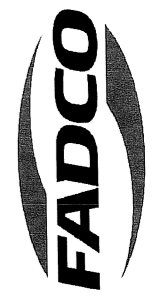


12 SECTION:
SCALE: 1" = 1' - 0" REF: T/A7.03

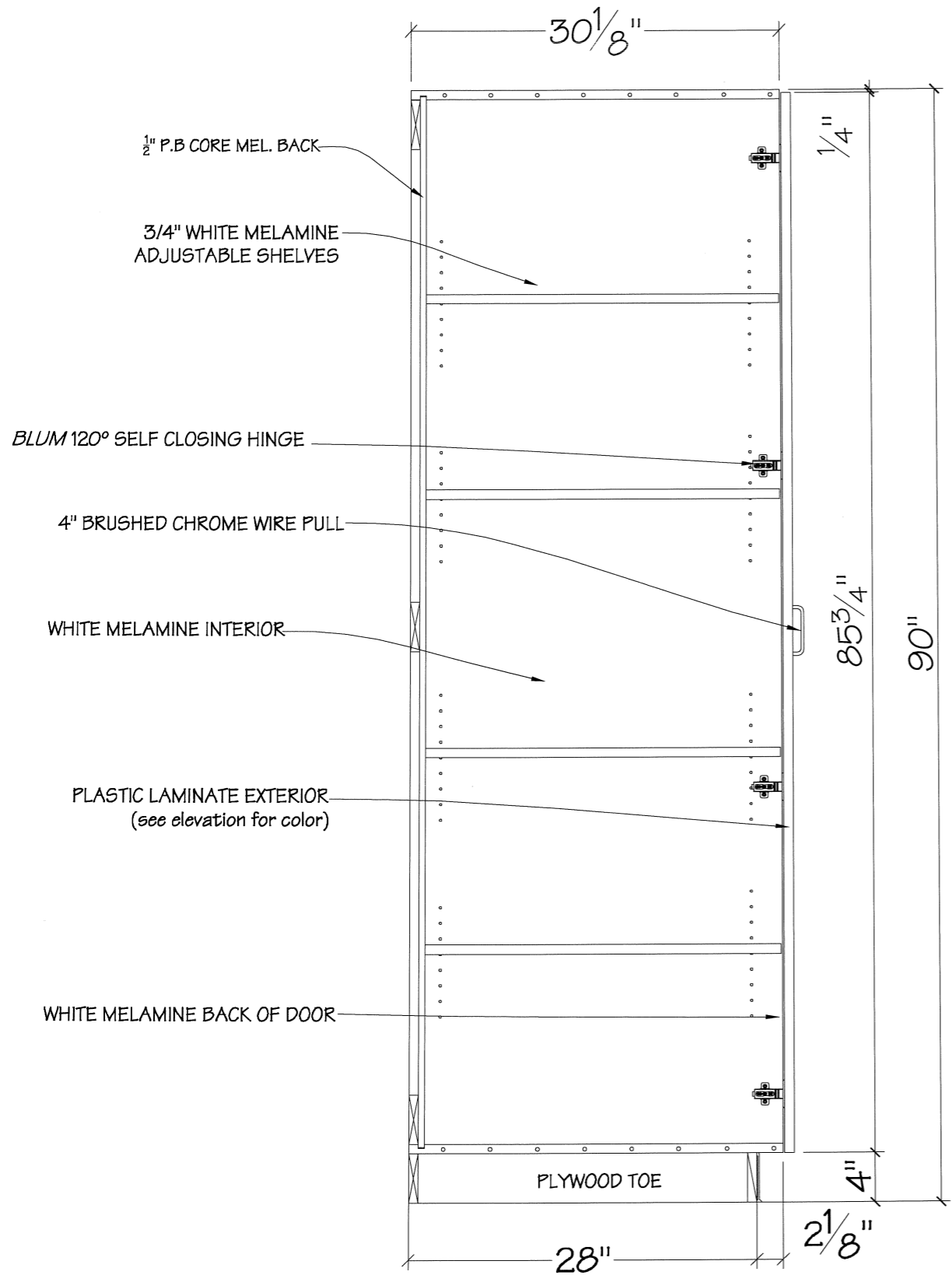


JOB NAME: Newcastle ECC
 JOB ADDRESS: 101 Main St. Newcastle OK
 CONTRACTOR: FLINTCO
 ARCHITECT: Design Architect Plus

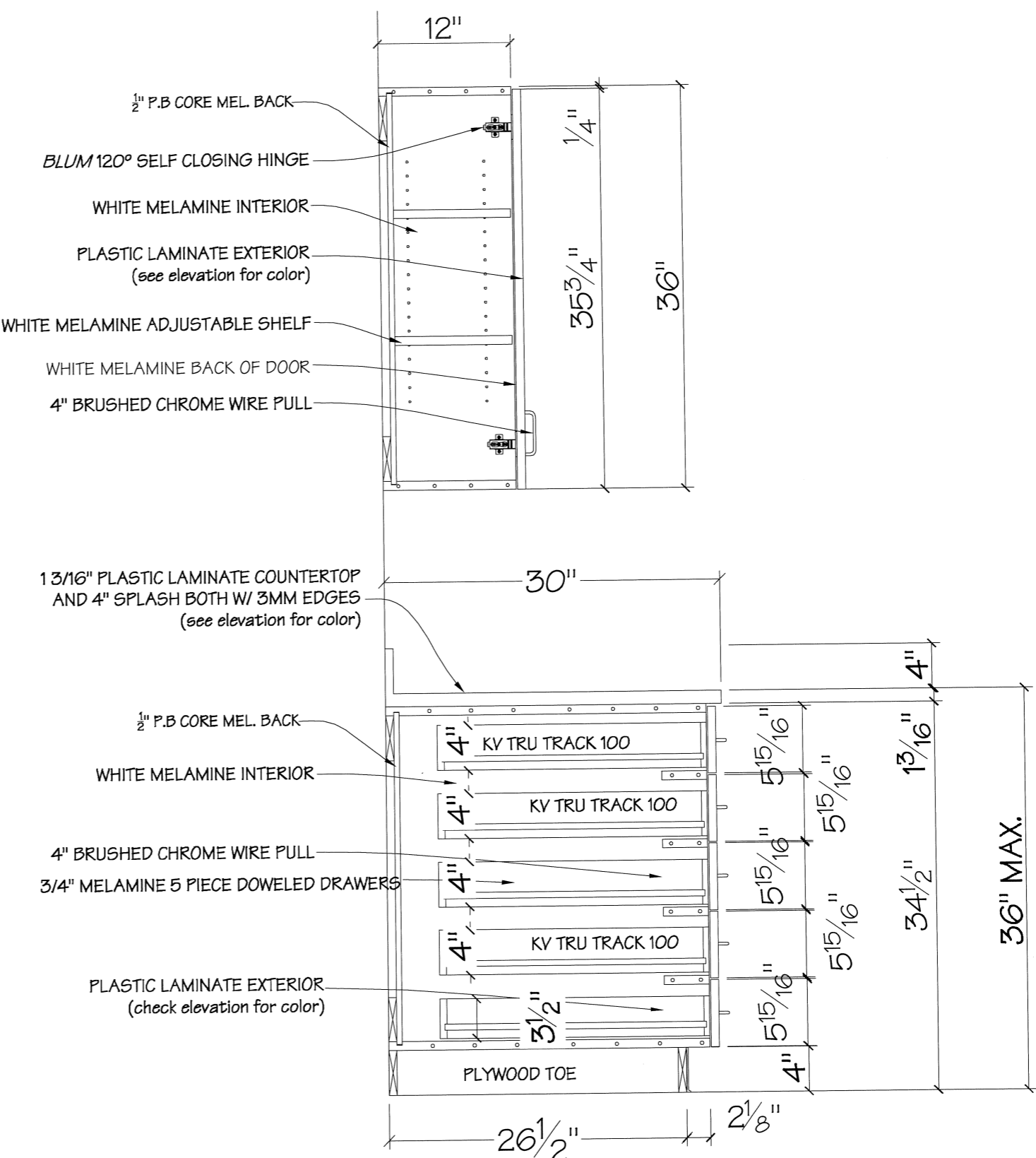
1021 NORTH COLUMBIA PL
 TULSA, OK. 74110
 (918) 832-1641
 FAX (918) 832-1251



REVISION No.
 JOB NO.: 1565
 DATE: 9/23/11
 DRAWN BY: ELH
 SHEET: S-6



9 SECTION:
SCALE: 1" = 1' - 0" REF: C / A7.04

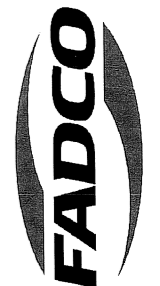


10 SECTION:
SCALE: 1" = 1' - 0" REF: M/A7.04

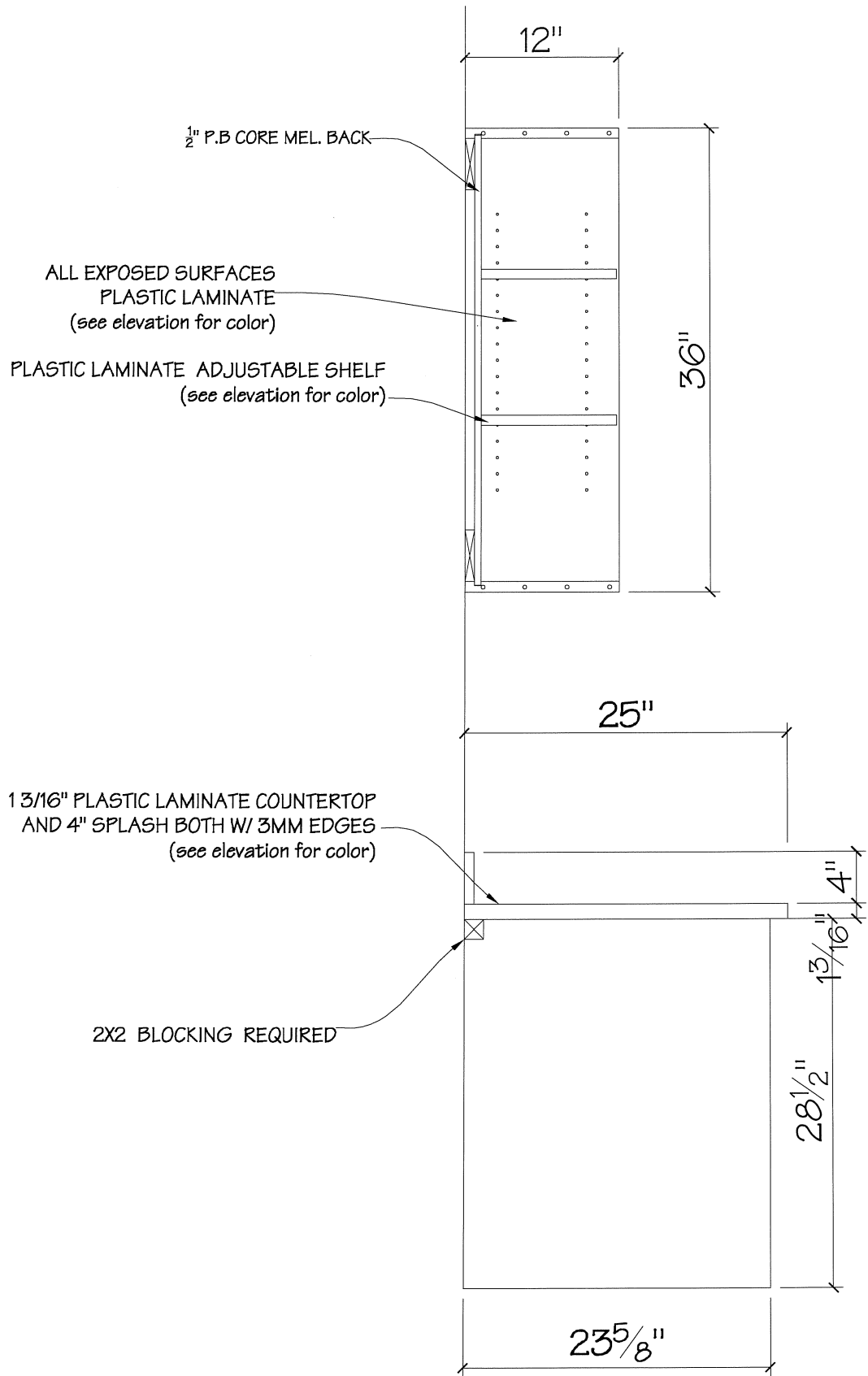


JOB NAME: Newcastle ECC
 JOB ADDRESS: 101 Main St. Newcastle OK
 CONTRACTOR: FLINTCO
 ARCHITECT: Design Architect Plus

1021 NORTH COLUMBIA PL
 TULSA, OK. 74110
 (918) 832-1641
 FAX (918) 832-1251



REVISION No.
 JOB NO.: 1565
 DATE: 9/23/11
 DRAWN BY: ELH
 SHEET: S-5



1 1/2"

WARDROBE T
W/ HEA

BLUM 120° SE

4" BRUSHED C

WHITE MELAM

WHITE M

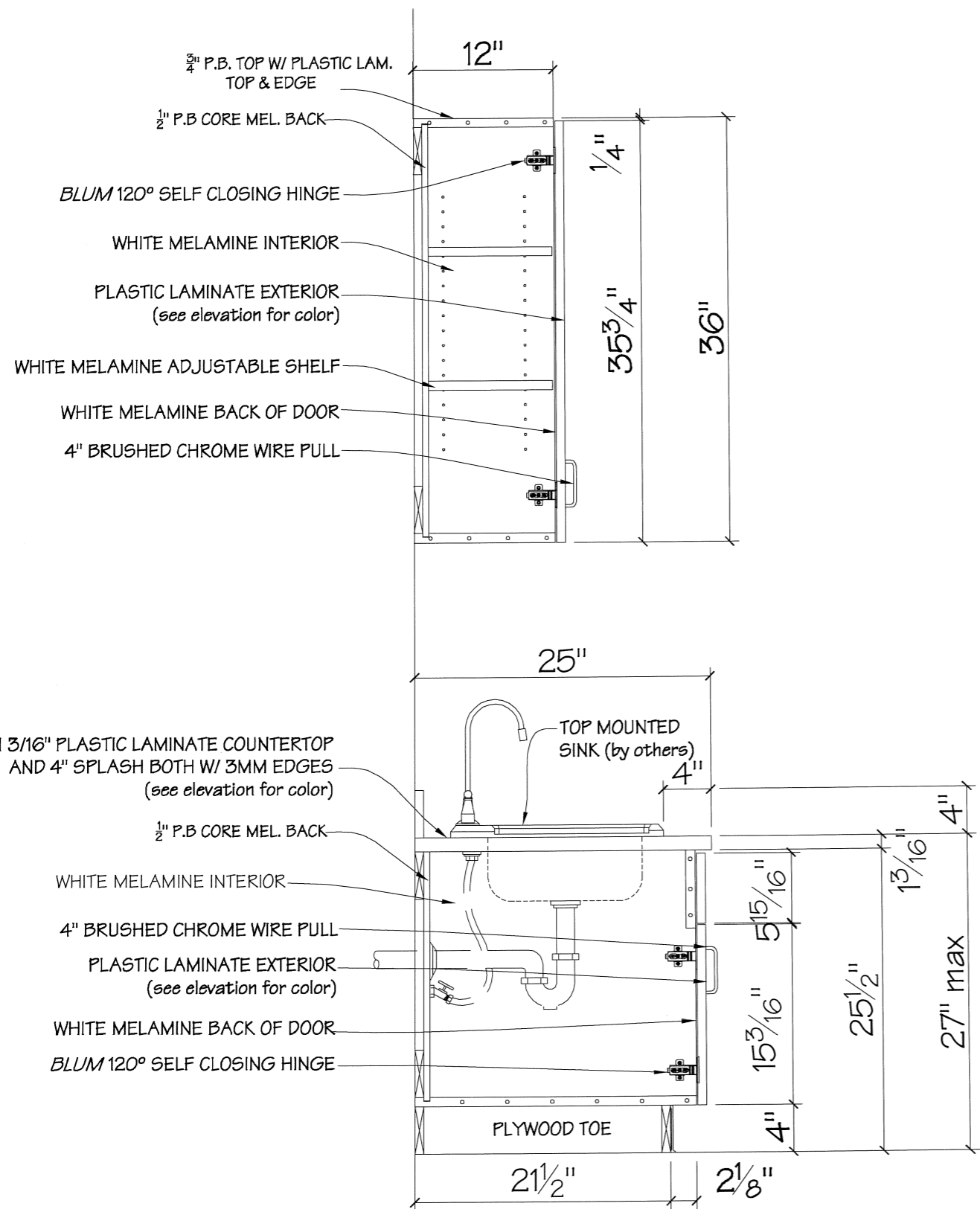
PLASTIC L
(se

7

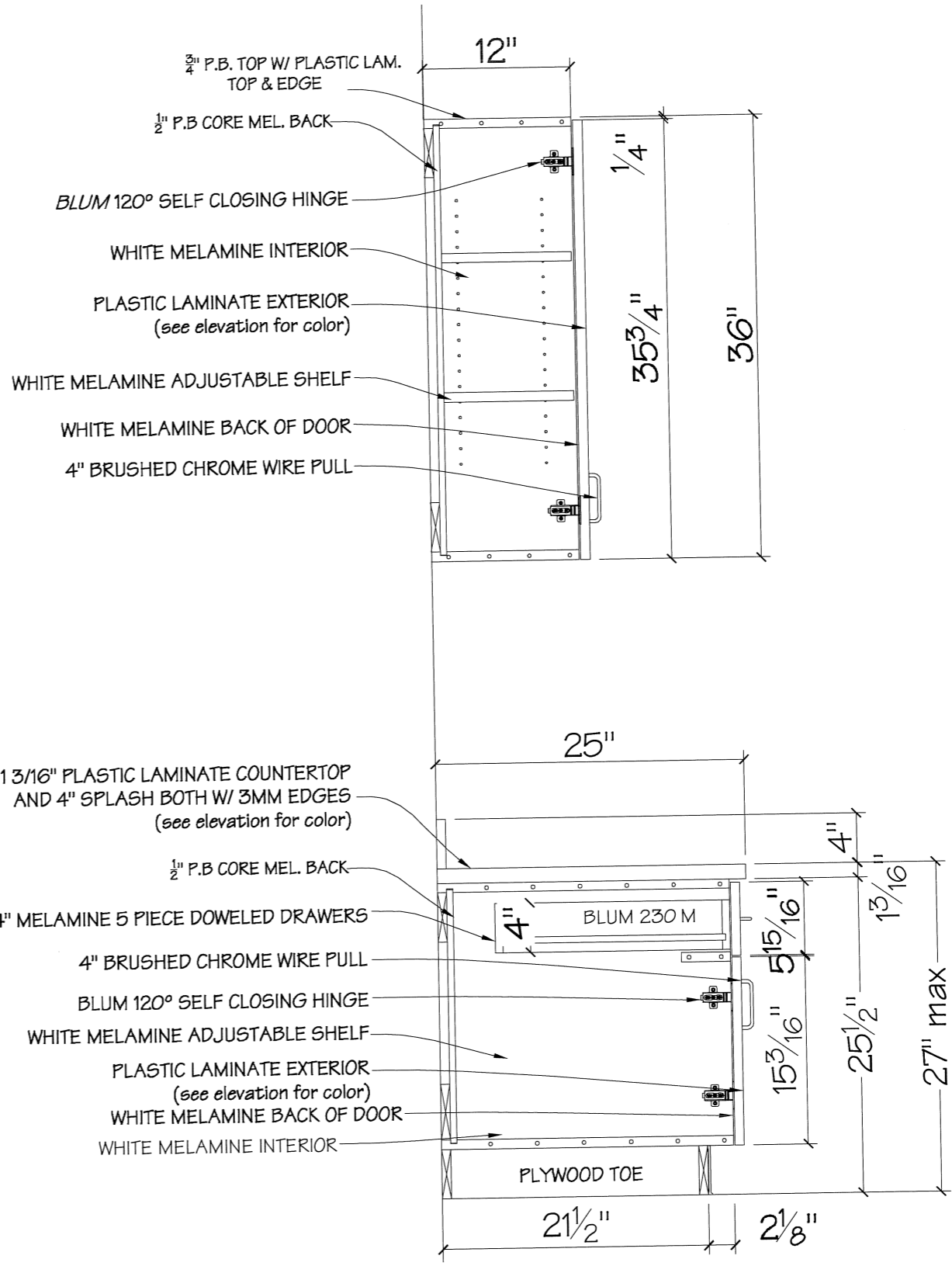
SECTION:

SCALE: 1" = 1' - 0"

REF: DD/A7.04



5 SECTION:
SCALE: 1" = 1'-0" REF: - / -

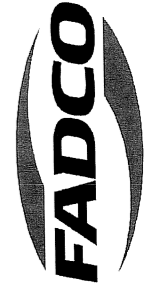


6 SECTION:
SCALE: 1" = 1'-0" REF: M/A7.03



JOB NAME: Newcastle ECC
 JOB ADDRESS: 101 Main St. Newcastle OK
 CONTRACTOR: FLINTCO
 ARCHITECT: Design Architect Plus

1021 NORTH COLUMBIA PL
 TULSA, OK. 74110
 (918) 832-1041
 FAX (918) 832-1251

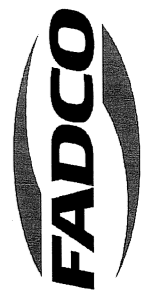


REVISION No.
 JOB NO.: 1565
 DATE: 9/23/11
 DRAWN BY: ELH
 SHEET: 9-3

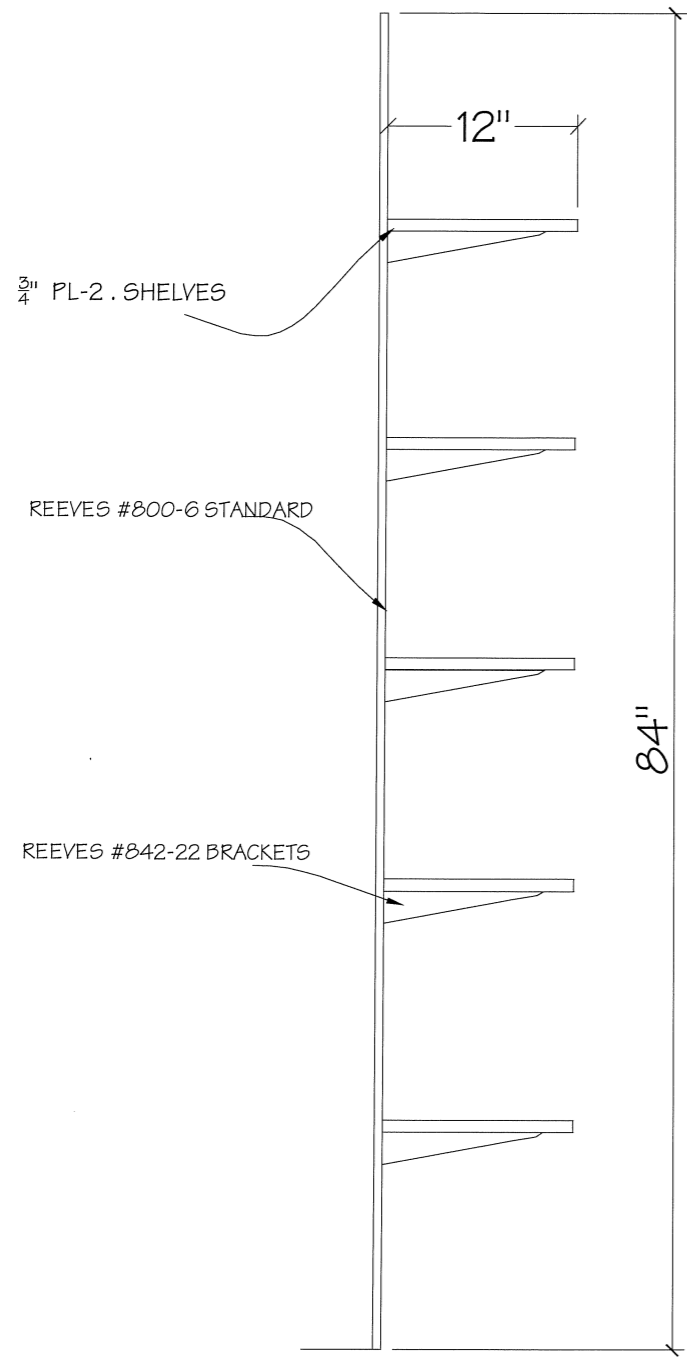


JOB NAME: Newcastle ECC
 JOB ADDRESS: 101 Main St. Newcastle OK
 CONTRACTOR: FLINTCO
 ARCHITECT: Design Architect Plus

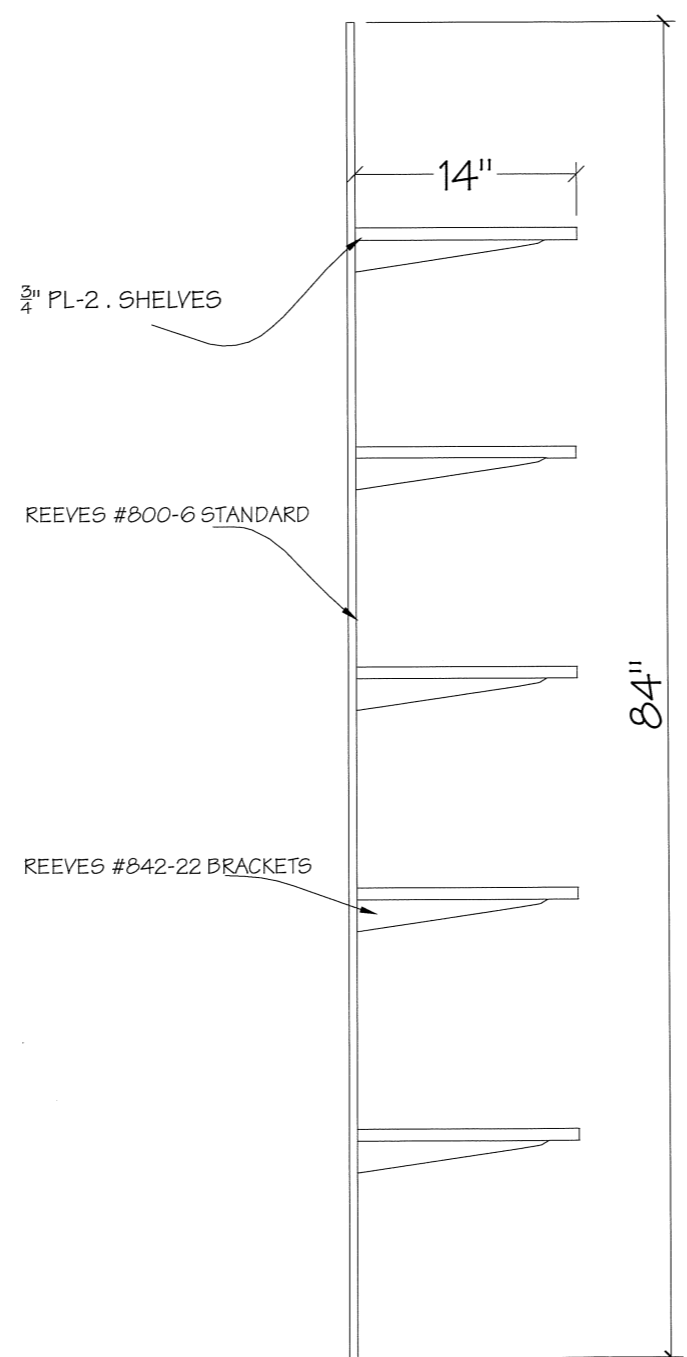
1021 NORTH COLUMBIA PL
 TULSA, OK. 74110
 (918) 832-1641
 FAX (918) 832-1251



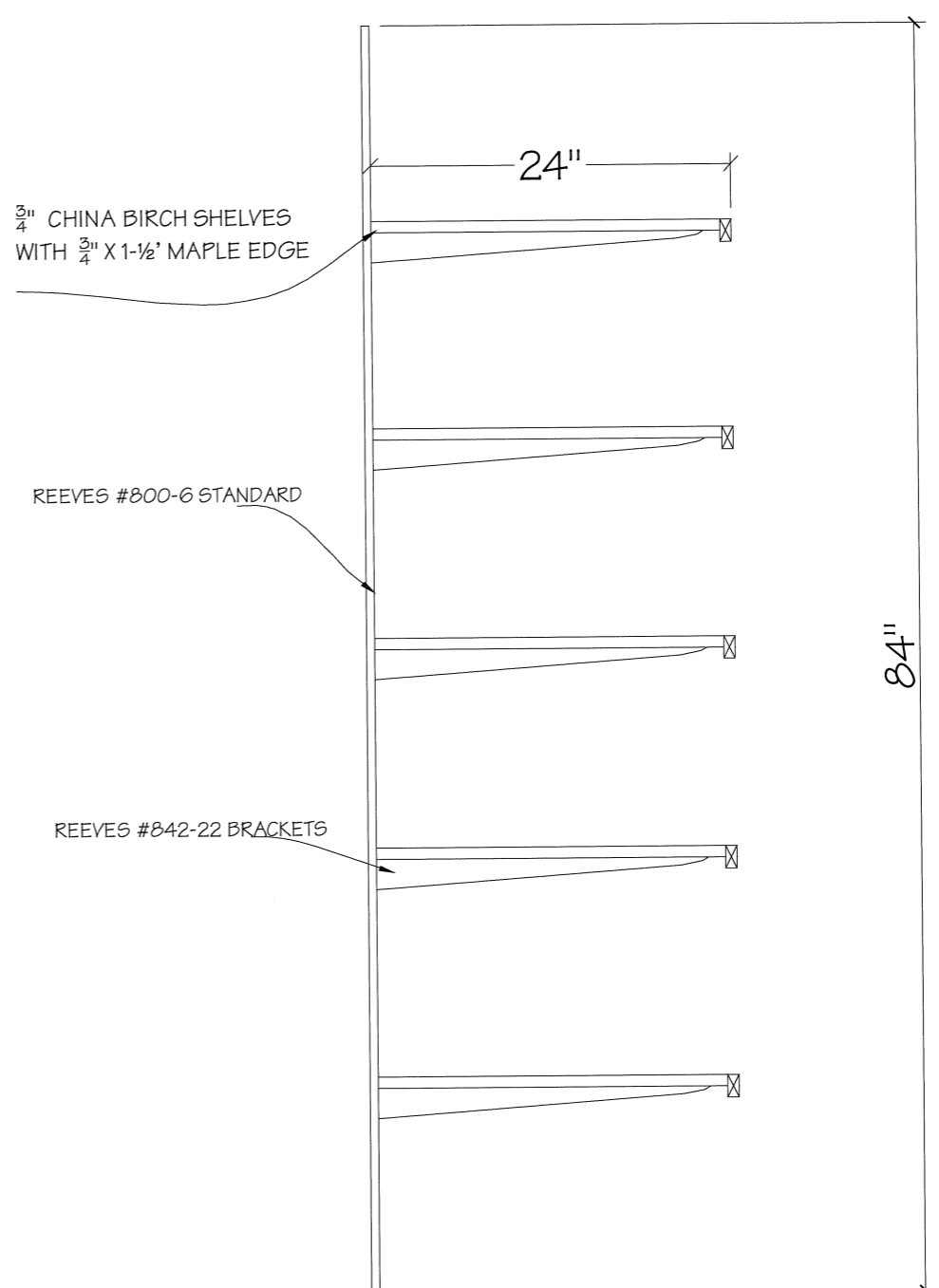
REVISION No.
 JOB NO.: 1565
 DATE: 9/23/11
 DRAWN BY: ELH
 SHEET: S-9



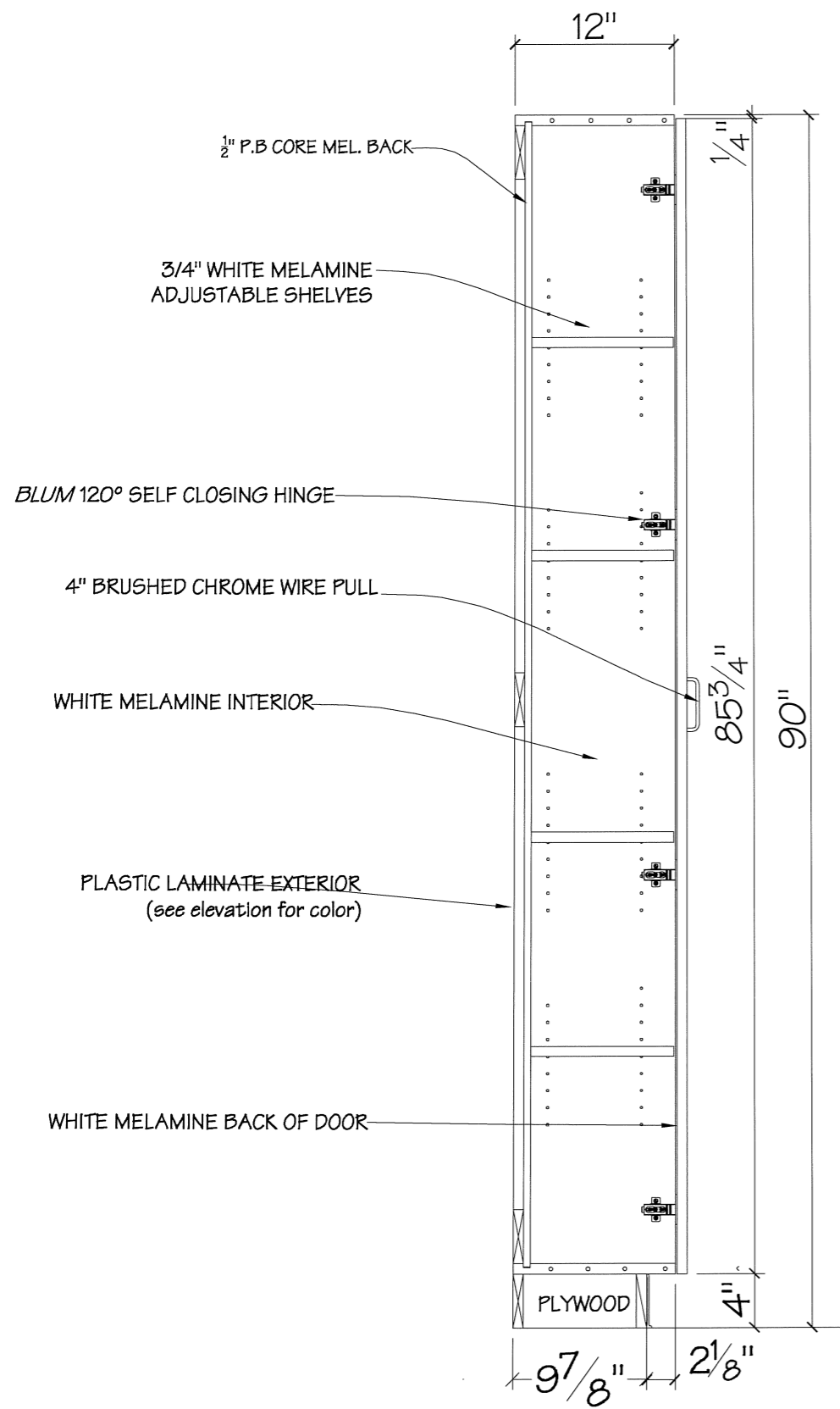
18 SECTION:
 SCALE: 1" = 1' - 0" REF: N/A



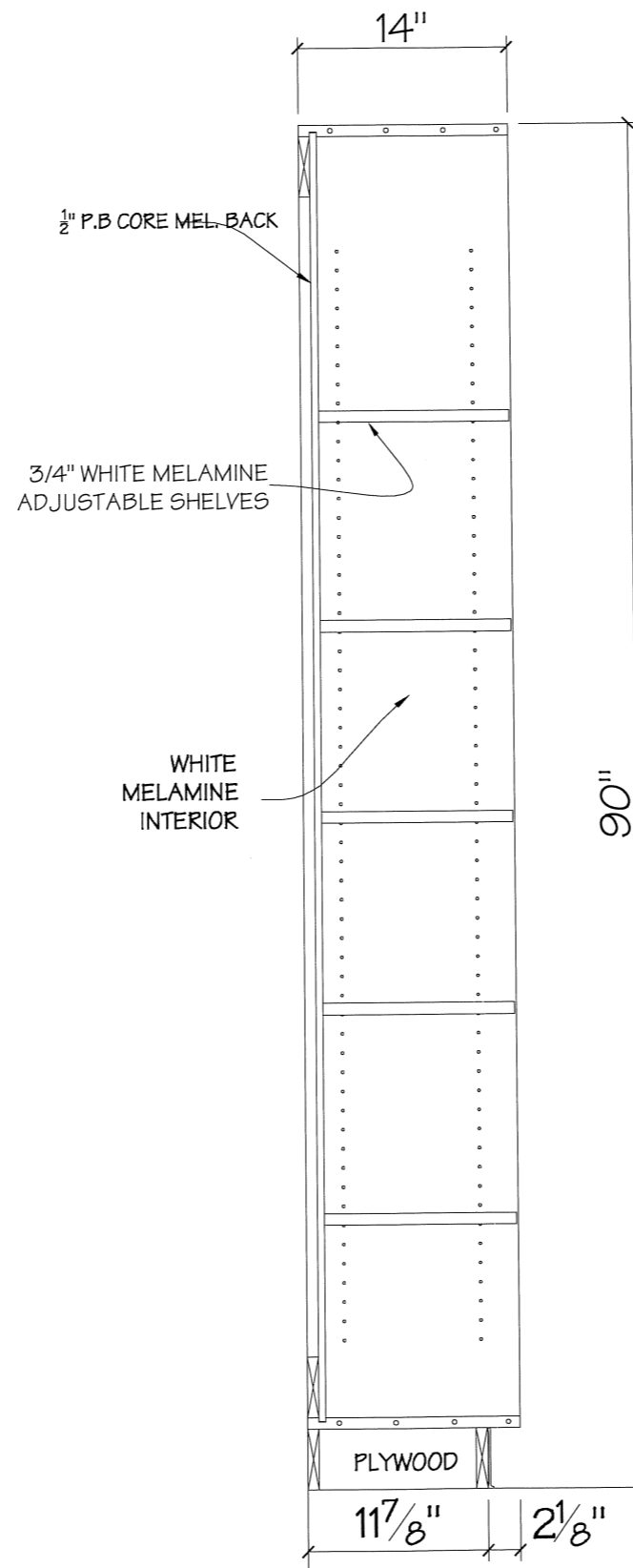
19 SECTION:
 SCALE: 1" = 1' - 0" REF: N/A



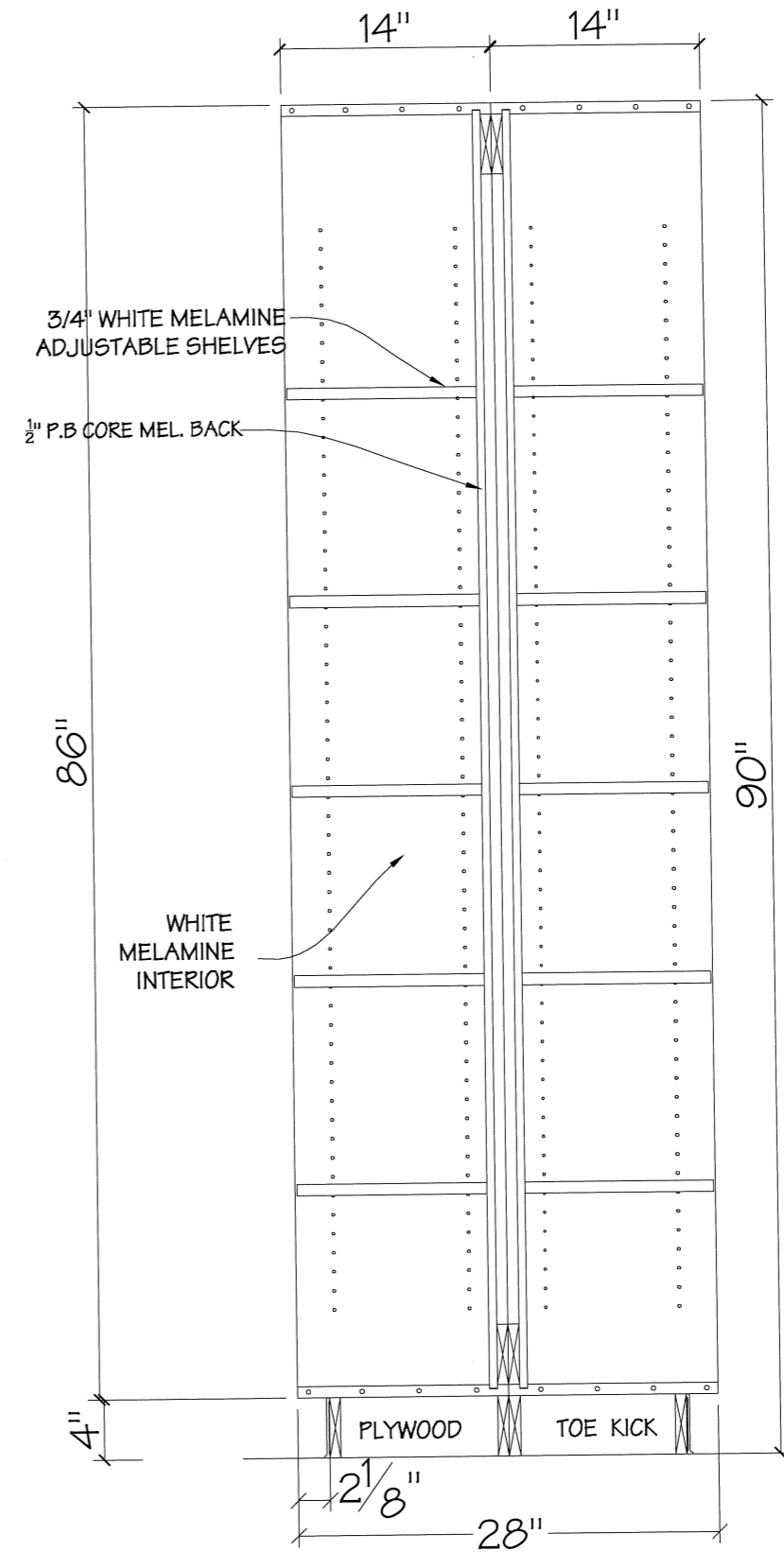
20 SECTION:
 SCALE: 1" = 1' - 0" REF: N/A



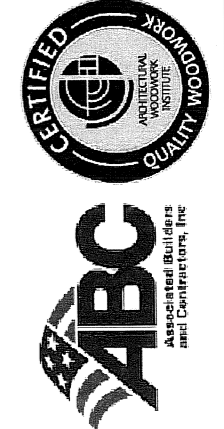
15 SECTION:
SCALE: 1" = 1'-0" REF: C / A7.04



16 SECTION: OPEN SHELVES
SCALE: 1" = 1'-0" REF: R / A7.04

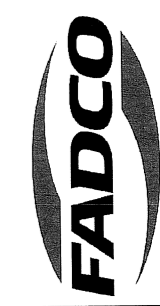


17 SECTION: OPEN SHELVES
SCALE: 1" = 1'-0" REF: S / A7.04

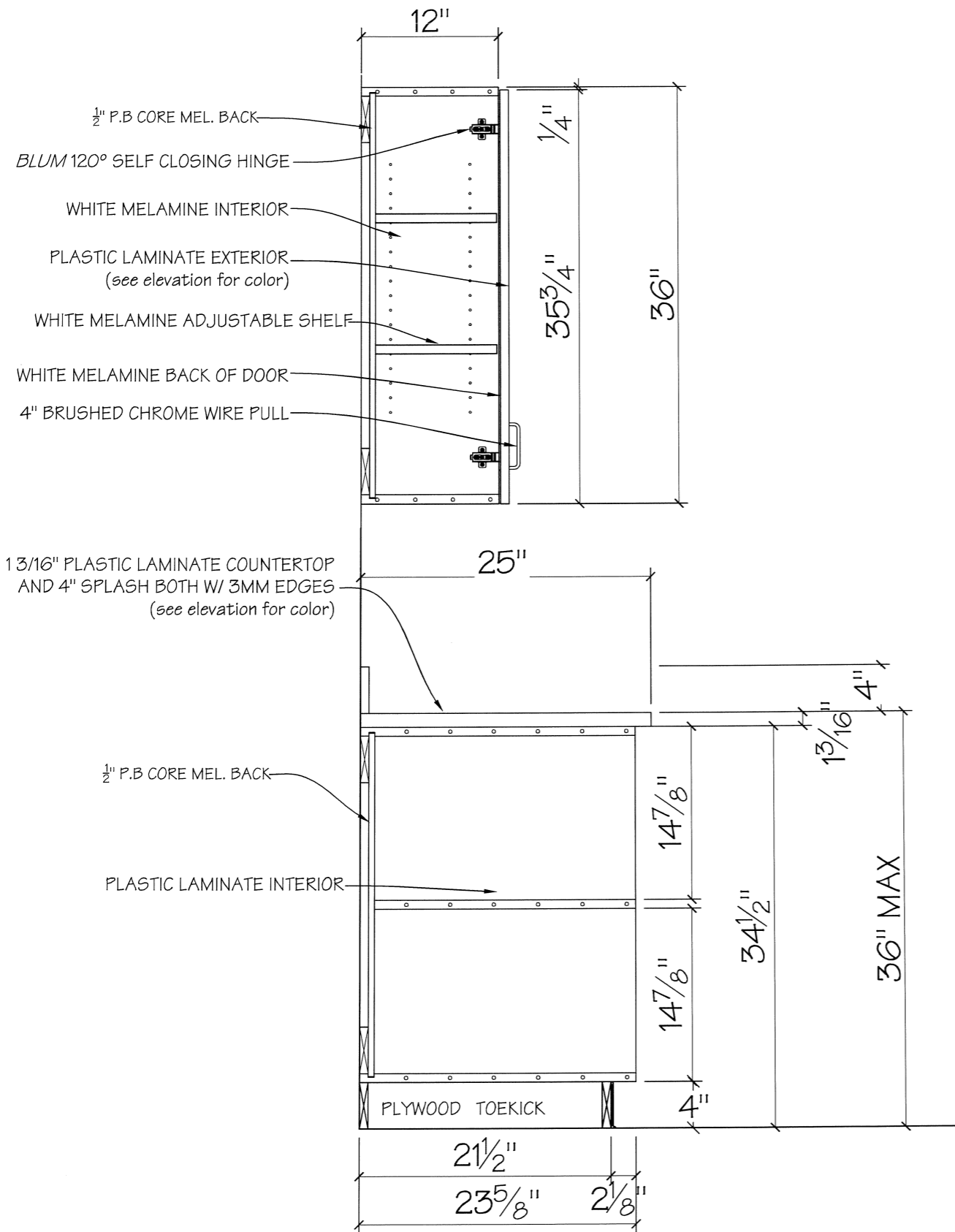


JOB NAME: Newcastle ECC
 JOB ADDRESS: 101 Main St. Newcastle OK
 CONTRACTOR: FLINTCO
 ARCHITECT: Design Architect Plus

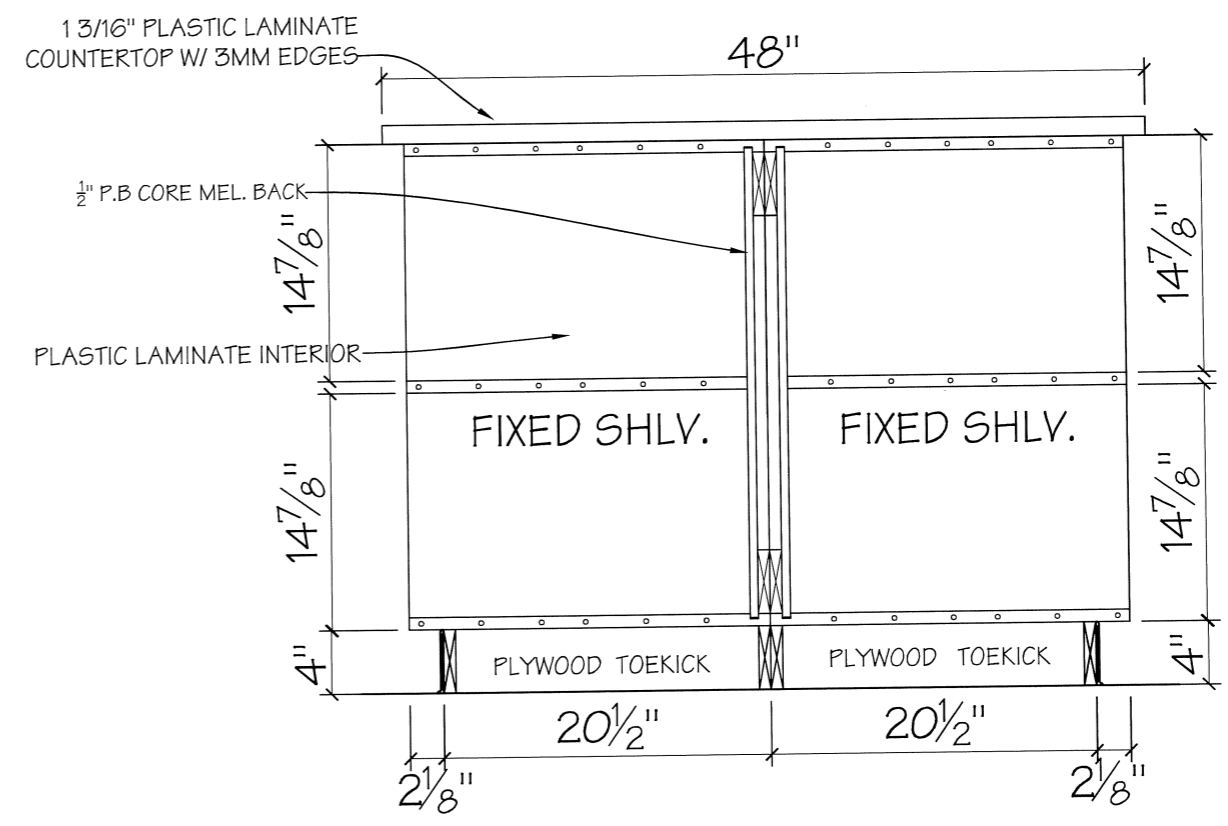
1021 NORTH COLUMBIA PL.
 TULSA, OK. 74110
 (918) 832-1641
 FAX (918) 832-1251



REVISION No.
 JOB NO.: 1565
 DATE: 9/23/11
 DRAWN BY: ELH
 SHEET: S-8



25 SECTION: OPEN BASE W/ FIXED SHELVES
SCALE: 1" = 1' - 0" REF: N /A7.04



26 SECTION: OPEN BASE W/ FIXED SHELVES
SCALE: 1" = 1' - 0" REF: P /A7.04



JOB NAME: Newcastle ECC

JOB ADDRESS: 101 Main St. Newcastle OK

CONTRACTOR: FLINTCO

ARCHITECT: Design Architect Plus

1021 NORTH COLUMBIA PL.
TULSA, OK. 74110
(918) 832-1641
FAX (918) 832-1251



REVISION No.

JOB NO.:

1565

DATE

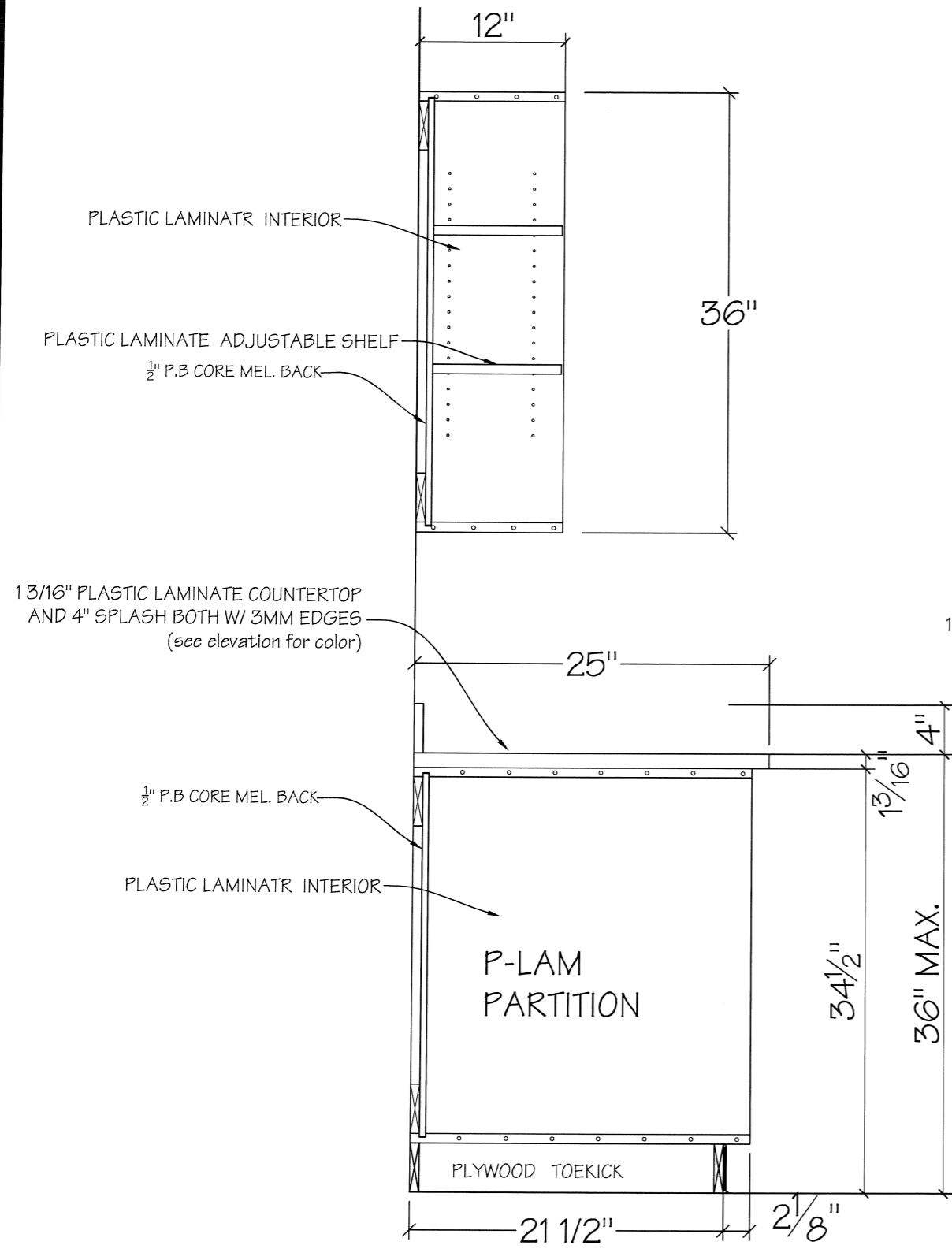
9/23/11

DRAWN BY:

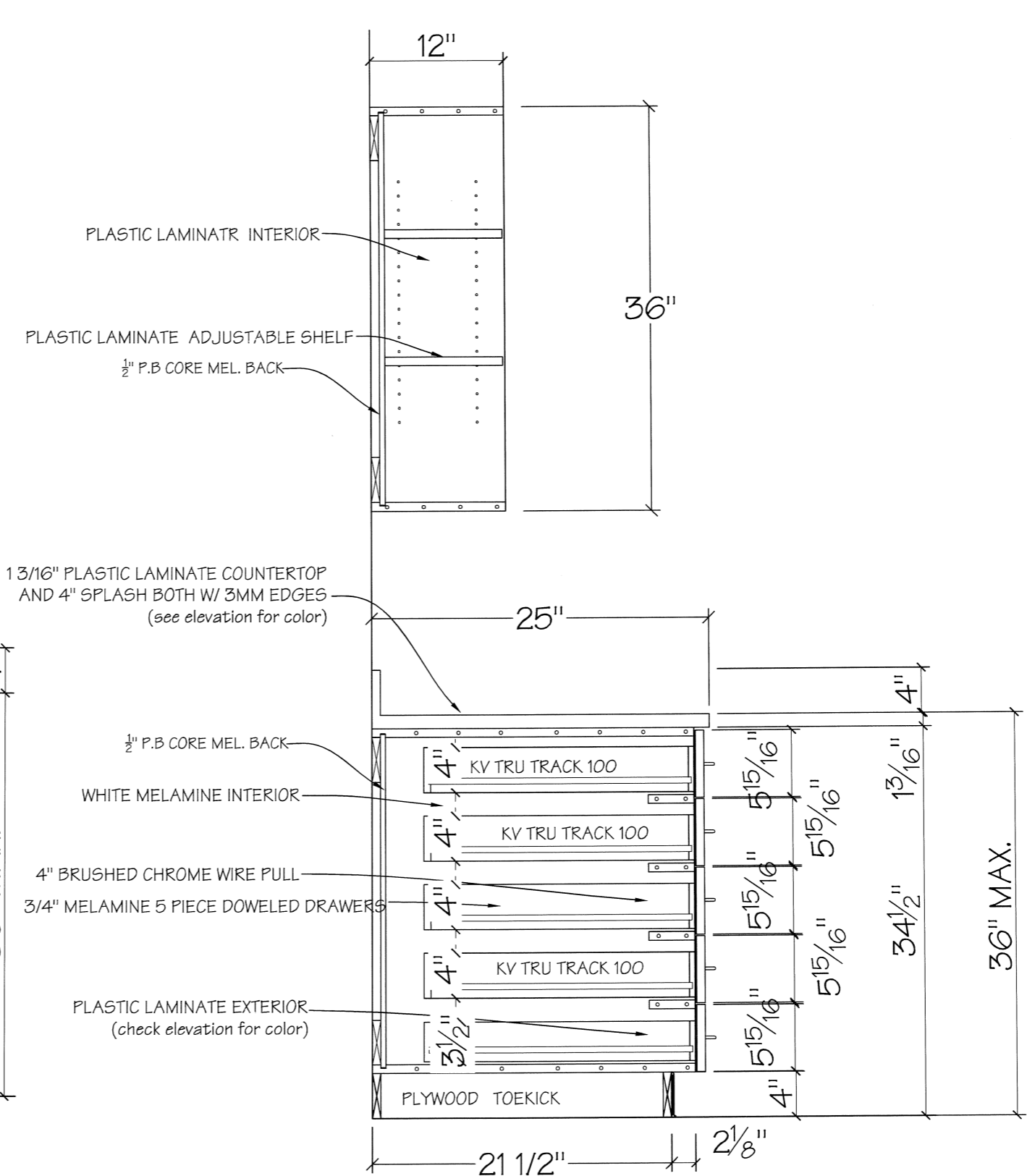
ELH

SHEET

5-12



23 SECTION:
SCALE: 1" = 1' - 0" REF: Q/A7.03

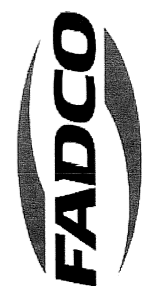


24 SECTION:
SCALE: 1" = 1' - 0" REF: M/A7.04



JOB NAME: Newcastle ECC
 JOB ADDRESS: 101 Main St. Newcastle OK
 CONTRACTOR: FLINTCO
 ARCHITECT: Design Architect Plus

1021 NORTH COLUMBIA PL.
 TULSA, OK. 74110
 (918) 832-1641
 FAX (918) 832-1251



REVISION No.
 JOB NO.: 1565
 DATE: 9/23/11
 DRAWN BY: ELH
 SHEET: S-11